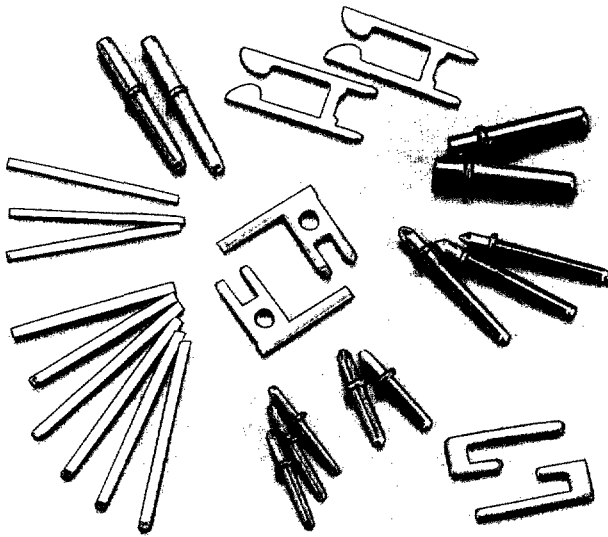


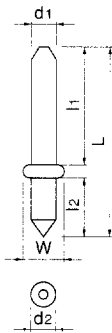
# PINS AND WRAP POSTS



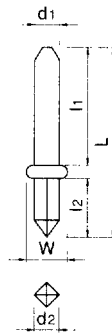
Various pins and wrap posts are available. The tips of the RT pins and the wrap posts are pyramid shaped to ensure smooth insertion into printed circuit boards. The RT pins are perfectly round since they are formed by drawing. The square wrap post is smooth on four sides but has sharp corners to ensure a secure and reliable wrapped connection.

## RT pin

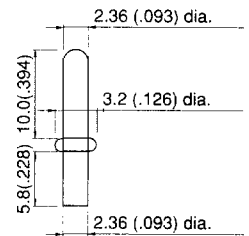
Shape A



Shape B



Shape C



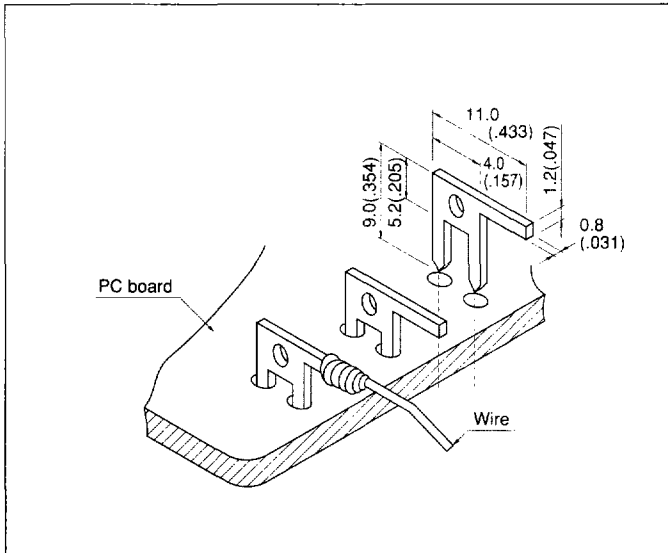
Model No.	Dimensions mm(in.)						Material and Finish	Shape
	d <sub>1</sub>	d <sub>2</sub>	ℓ <sub>1</sub>	ℓ <sub>2</sub>	L	W		
RT-03T-1.0A	1.0 (.039)	1.0 (.039)	5.8 (.228)	4.8 (.189)	11.0 (.433)	2.0 (.079)	Brass, copper-undercoated, tin/lead-plated	A
RT-02T-1.3A	1.3 (.051)	1.3 (.051)	6.5 (.256)	3.5 (.138)	10.5 (.413)	2.5 (.098)		
RT-07T-1.3A	1.3 (.051)	1.3 (.051)	9.7 (.382)	5.7 (.224)	15.9 (.626)	2.5 (.098)		
RT-01T-1.5A	1.55 (.061)	1.55 (.061)	8.8 (.346)	6.2 (.244)	15.5 (.610)	2.5 (.098)		
RT-01T-1.0B	1.0 (.039)	1.1 (.043)	6.5 (.256)	4.3 (.169)	11.1 (.437)	2.0 (.079)		B
RT-01T-1.3B	1.3 (.051)	1.4 (.055)	6.5 (.256)	3.5 (.138)	10.5 (.413)	2.5 (.098)		
RT-02T-1.3B	1.3 (.051)	1.4 (.055)	12.0 (.472)	3.5 (.138)	16.0 (.630)	2.7 (.106)		
RT-08T-1.3B	1.3 (.051)	1.4 (.055)	9.7 (.382)	4.0 (.157)	14.2 (.559)	2.5 (.098)		
RT-01T-1.5B	1.55 (.061)	1.6 (.063)	8.8 (.346)	4.0 (.157)	13.3 (.524)	2.5 (.098)		C
RT-01N-2.3A	2.36 (.093)	2.36 (.093)	10.0 (.394)	5.8 (.228)	16.5 (.650)	3.2 (.126)		

Note:  
1. Specify "silver-plated pins" when ordering, if so desired. In this case the central letter "T" of each model number is changed to "A" (Example: RT-01T-1.3A is changed to RT-01A-1.3A)  
2. Contact JST if you require other dimensions or platings.

# WRAP POSTS

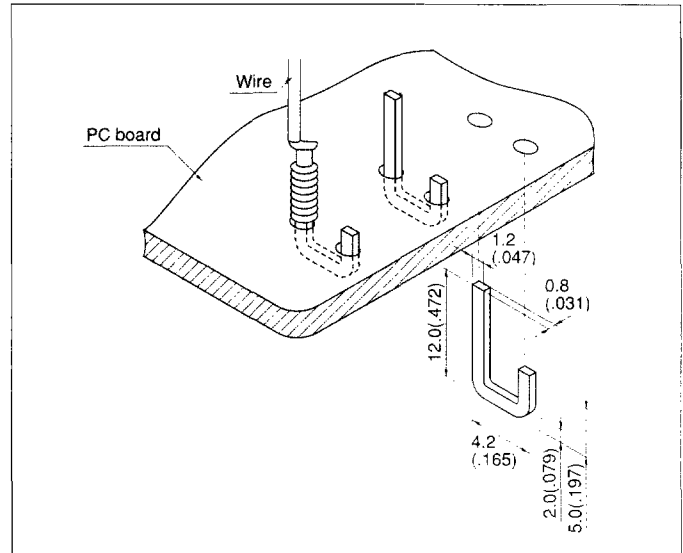
## F-shaped pin

The F-shaped pin is used to connect a wire to a printed circuit board via a wrapped wire. The two legs of the F-shaped pin are inserted into the printed circuit board and soldered.



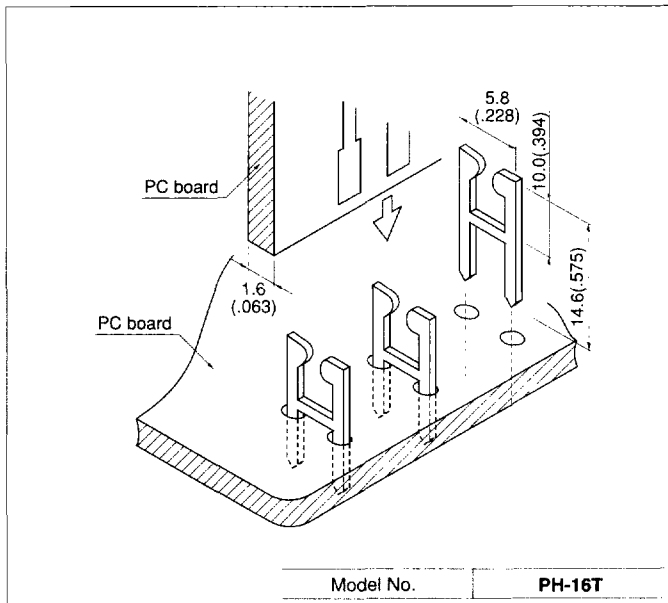
## L-shaped pin

The L-shaped pin is also mounted on a printed circuit board and used to connect a wire to the printed circuit board via a wrapped wire. The two legs of the pin are inserted into two holes in the printed circuit board so that the pin is securely held perpendicular to the board.

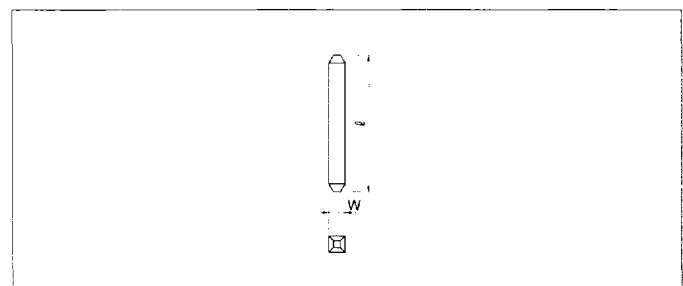


## H-shaped pin

The two legs of each H-shaped pin are directly soldered into the mother board. A printed circuit board can be connected to the mother board by inserting the edge of the printed circuit board between the two projections of each pin. These pins ensure a secure connection between the two printed circuit boards. The pin requires no insulating housing.



## Wrap post



Model No.	Dimensions mm(in.)		Q'ty / box
	W	l	
0.64T-17	0.64(.025)	17.0(.669)	—
1.0 T- 9		9.0(.354)	20,000
1.0 T-10		10.0(.394)	20,000
1.0 T-12		12.0(.472)	—
1.0 T-14		14.0(.551)	15,000
1.0 T-17	1.0 (.039)	17.0(.669)	10,000
1.0 T-18		18.0(.709)	—
1.0 T-19		19.0(.748)	5,000
1.0 T-20		20.0(.787)	5,000
1.0 T-22		22.0(.866)	—

### Material and Finish

Brass, copper-undercoated, tin/lead-plated

Note: Contact JST if you require other materials, dimensions or finishes.